

# TabaNOid

ISSUE IV.

## Introduction

Tabanid flies – commonly known as horse flies – inflict painful bites on cattle and horses. Tabanids are found worldwide and attacks of the blood-sucking female have serious economic consequences to livestock, including significant blood loss resulting in livestock weakening and sometimes death. Tabanids also reduce productivity (milk yields and meat production) by interfering with grazing time, furthermore, Tabanid flies transmit numerous diseases such as equine infectious anaemia.

SME proposers of the current project recognized the need to develop an affordable, effective, protective system that captures tabanids.

The TabaNOid trap, developed using cutting edge technology, is ideal for protecting outside fed livestock, particularly in eco-farms that comply with bio standards. Outdoor swimming pools or camp sites located in close proximity of water are also prone to the attack of blood-thirsty tabanids.



## Consortium

<u>Partner</u>
MFKK Invention and Research Center Services Ltd.
Lenis Global Plastik ve Kalip Sanayi ve Ticaret Ltd Sti
Agropharm Ltd.
Kőrös-Maros Biofarm Szarvasmarha-tenyésztő Kft.
Eohippus družba za usposabljanje in zaposlovanje invalidov d.o.o.
MEPARK Tourism and Trading Limited Co.
JCB Electromecanica S.L.
Eötvös Lóránd Tudományegyetem
Fundacion Tekniker



## Project Progress

e

- The M18 General Meeting was held in Budapest on 12 November 2010.

On the project meeting the results of the summer field tests were analysed. The end-user SME partners evaluated the performance of the TABANOID traps.

- The TabaNOid project is showcased on the ELTE Innovation Day.

The Biological Physics Faculty of Eötvös Lóránd University decided to make a poster presentation on the ELTE Innovation Day, held in Budapest, 2011. February 23. Delegates of MFKK also participated on the event.

- The last Technical meeting was held on 21<sup>st</sup> February 2011 in Bilbao at the premises of Tekniker.

- Tabanoid won first prize as the most innovative project on the ELTE Innovation Day.

- The M24 Meeting on 28th April 2011, in Budapest, Hungary.

- The M29 meeting will be held in Izmir, Turkey on 28-29 September 2011, where finance, administration and reporting issues, results of field tests 2011, results of validation tests, dissemination results will be presented.

### Agenda of

#### TabaNOid

##### M18 Meeting

##### Venue:

to be decided soon

9:00 - 9:10	Welcome & Introduction (MFKK)
9:10 - 9:30	Project Progress Review (MFKK)
9:30 - 9:45	Status review of 1st periodic report (MFKK)
9:45 - 10:15	Results of summer field tests (ELTE, MFKK)
10:15 - 10:35	COFFEE BREAK
10:35 - 10:50	Prototype showcase (MFKK)
10:50 - 11:05	Surface development (TEKNI)
11:05 - 11:20	Future work (MFKK)
11:20 - 11:30	Dissemination & Exploitation issues (MFKK)
11:30 - 12:00	Any other business
12:00 - 13:30	LUNCH
13:30 -	Open discussion

#### TabaNOid

##### M29 Meeting

Venue:  
Izmir, Turkey

28 <sup>th</sup> September 2011	Ameon Fuar Hotel
13:00 - 13:10	Welcome & Introduction
13:10 - 14:10	Finance, administration and reporting issues
14:10 - 15:10	Results of field tests 2011
15:10 - 15:30	Coffee break
15:30 - 16:00	Results of validation tests
16:00 - 16:30	Final design and guide for use
16:30 - 17:00	Final conclusions
19:00 -	DINNER
29 <sup>th</sup> September 2011	
9:00 - 9:30	Dissemination results
9:30 - 11:30	Open discussion about dissemination, exploitation and IP
11:30 - 12:00	Summary and any other business
12:00 - 13:30	LUNCH
13:30 -	Social event



## Project Showcase

### Canopy trap for horse-fly control

The trap design is a slightly modified version of one described in an article published by R. C. Axtell, T. D. Edwards and J. C. Dukes in the Journal of The Georgia Entomological Society (Vol. 10, no. 1) in 1975. The trap can be modified somewhat depending on the type of materials available and the ingenuity of the builder so long as the dimensions and contrasting surfaces remain approximately the same.



For more information, please visit:

[http://alamance.ces.ncsu.edu/files/library/1/TABANID\\_Trap.pdf](http://alamance.ces.ncsu.edu/files/library/1/TABANID_Trap.pdf)



## Patent watch

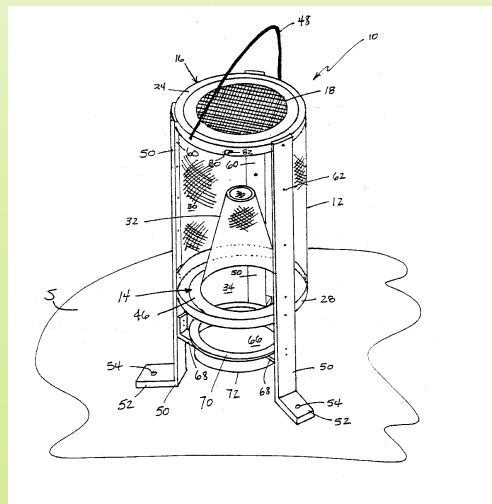
### Fly trap and a bait therefor

**Inventor:** Chris A. Chrysanthis, 158 Westdale Ave., Daly City, California 94015

**Appl. No.:** 729,249

**Filed:** 10.10.1996

A fly trap includes a cylindrical side wall made of a mesh material; a bottom wall located proximate the bottom end of the side wall; a conical entry conduit extending from proximate the bottom wall and providing an entry path to the interior chamber of the fly trap; and a lure holding device for holding a fly lure composition beneath the bottom wall of the trap. Preferably, the top wall and/or some other part of the fly trap includes a light reflecting device, such as a prism or reflector, to help attract attention to the trap in the daylight. Also, to help attract attention to the trap at night, one or more surfaces may be coated with or constructed from a material that glows in the dark. The lure holding device may contain a suitable fly lure composition, such as one containing about 0.5-3% dried animal blood, wherein the dried animal blood is dried in such a manner that proteins contained therein remain intact, and about 0.1-5% sweet brewer's yeast (all percentages are weight percentages based on the entire weight of the composition)





## Conference and fair

### Spoga Horse

International Trade Fair for Equestrian Sports,

4 - 6 September 2011

The perfect place for a booming business- spoga horse is the leading international trade fair for equestrian sports. It offers exhibitors and trade visitors the ideal environment to make new contacts, expand networks and generate lucrative business. It takes place at the Exhibition Centre in Cologne, Germany.

Further information about the Spoga Horse Event can be found [here](#).

### Libramont Fair

22 - 25 July 2011

The Libramont agricultural, forestry and agri-food fair in Belgium, is a huge open-air exhibition that welcomes almost 200,000 visitors, along with 1,500 exhibitors and brands, on a site covering 300,000 m<sup>2</sup> every year. It is an outstanding showcase for the rural world, which it presents from many different angles: machinery, livestock breeding, forestry, the agri-food industry, horticulture, research, education and culture.

Further information about the Libramont Fair can be found [here](#).